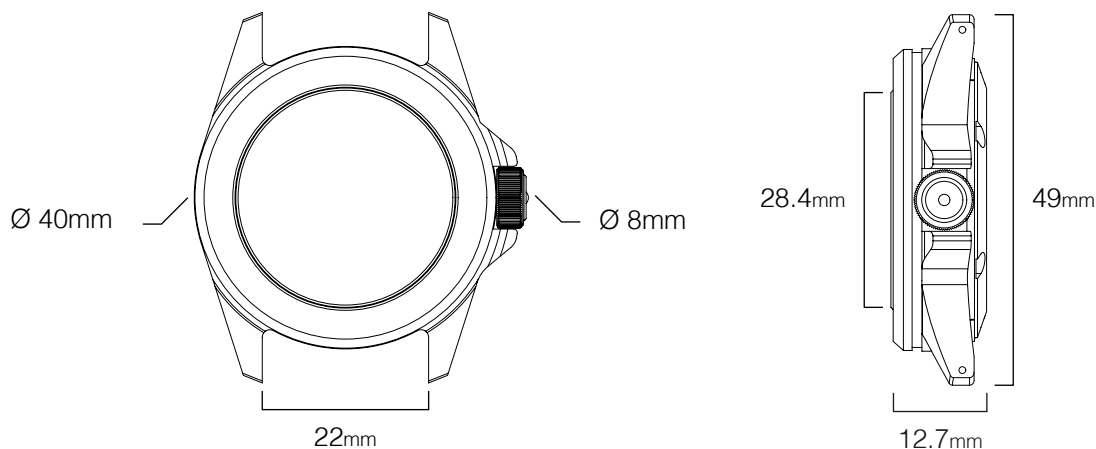


MODELLO QUATTRO

Ref. U4S-T-LB

*Made in Italy
2 years warranty
Limited edition of 300 pieces
Swiss movement*

UNIMATIC



REFERENCE	UNIMATIC Modello U4S-T-LB
TYPE	Slim military watch
ORIGIN	Made in Italy
TESTING	Singularly tested for accuracy and water resistance
EDITION	Individually numbered, edition of 300
WATER RESISTANCE	300m ≈ 1000ft ≈ 30atm
CASE DIMENSIONS	Diameter 40mm, height lug-to-lug 49mm, case opening 28.4mm
WEIGHT	65g/ 78g with the strap
CASE THICKNESS	12.7mm without the lens/ 13mm with the lens
LUGS/ STRAP SIZE	22mm
CASE MATERIAL	Grade II Titanium
CASE FINISHING	Sandblasted
BEZEL	Fixed monoblock bezel
CASEBACK	NATO Military Symbols caseback
CROWN	Alchemical Sun ⦿ 8mm screw-down
LENS DESCRIPTION	2.8mm thick flat sapphire
LENS TREATMENT	Inner side anti-reflective coating
DIAL BASE	California titanium color sandblasted dial
LUMINOUS COLOR	Super-LumiNova® Light Blue
DIAL TRIMS	Cool gray closed second rail and dark gray dial trims
HANDS	Titanium color ladder phantom H+M, reverse lollipop S, cool gray tip
CALIBER	Automatic calibre Sellita SW200-1 b 28800BPH
CALIBER FEATURES	Hacking seconds hand
CALIBER JEWELS	26
CALIBER WINDING	Self-winding/manual winding
ACCURACY	±12s/day
POWER RESERVE	Min 38h, typical 41h
STRAP	Mint Green nylon NATO strap
STRAP HARDWARE	Titanium sandblasted hardware signed UNIMATIC
PRODUCT KIT	UNIMATIC tough case, warranty card with unique ID seal